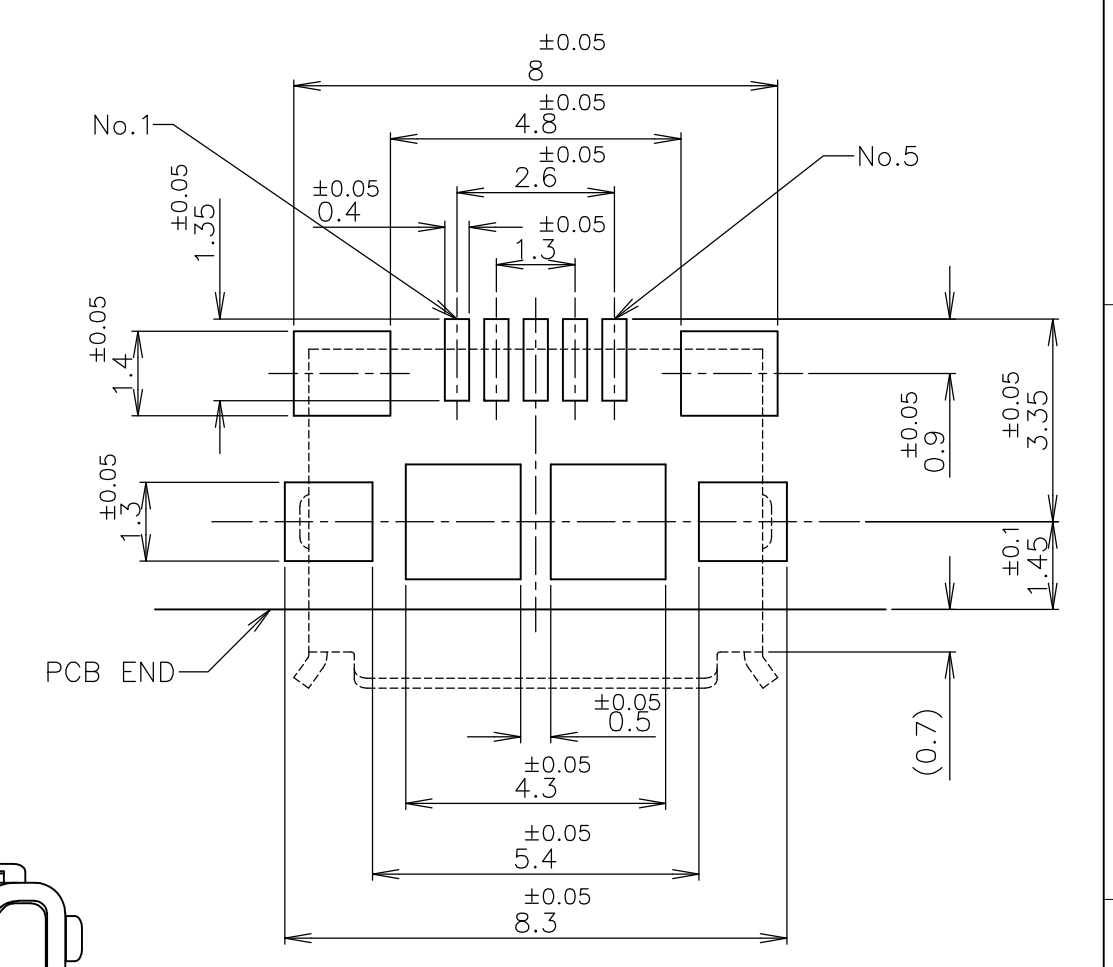
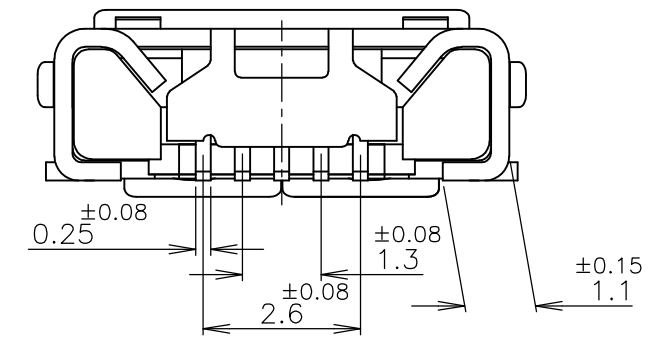
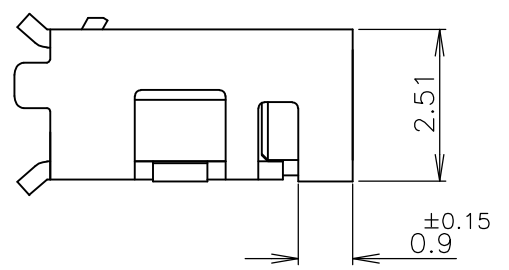
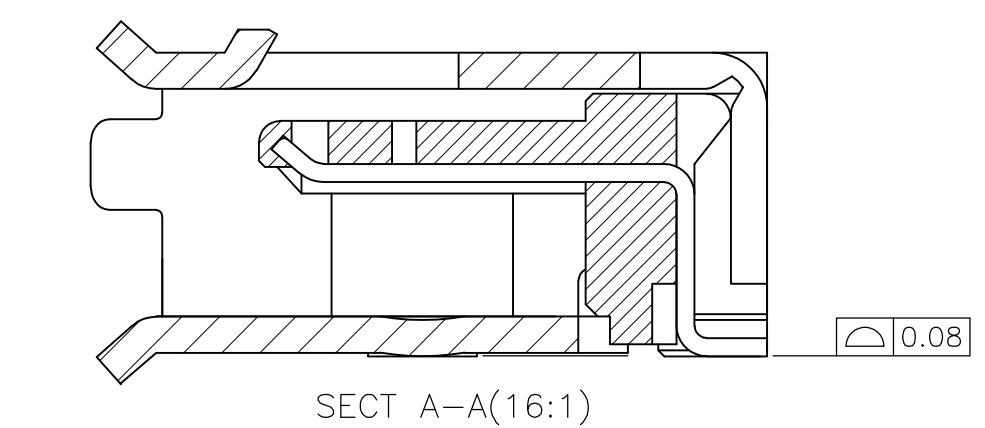
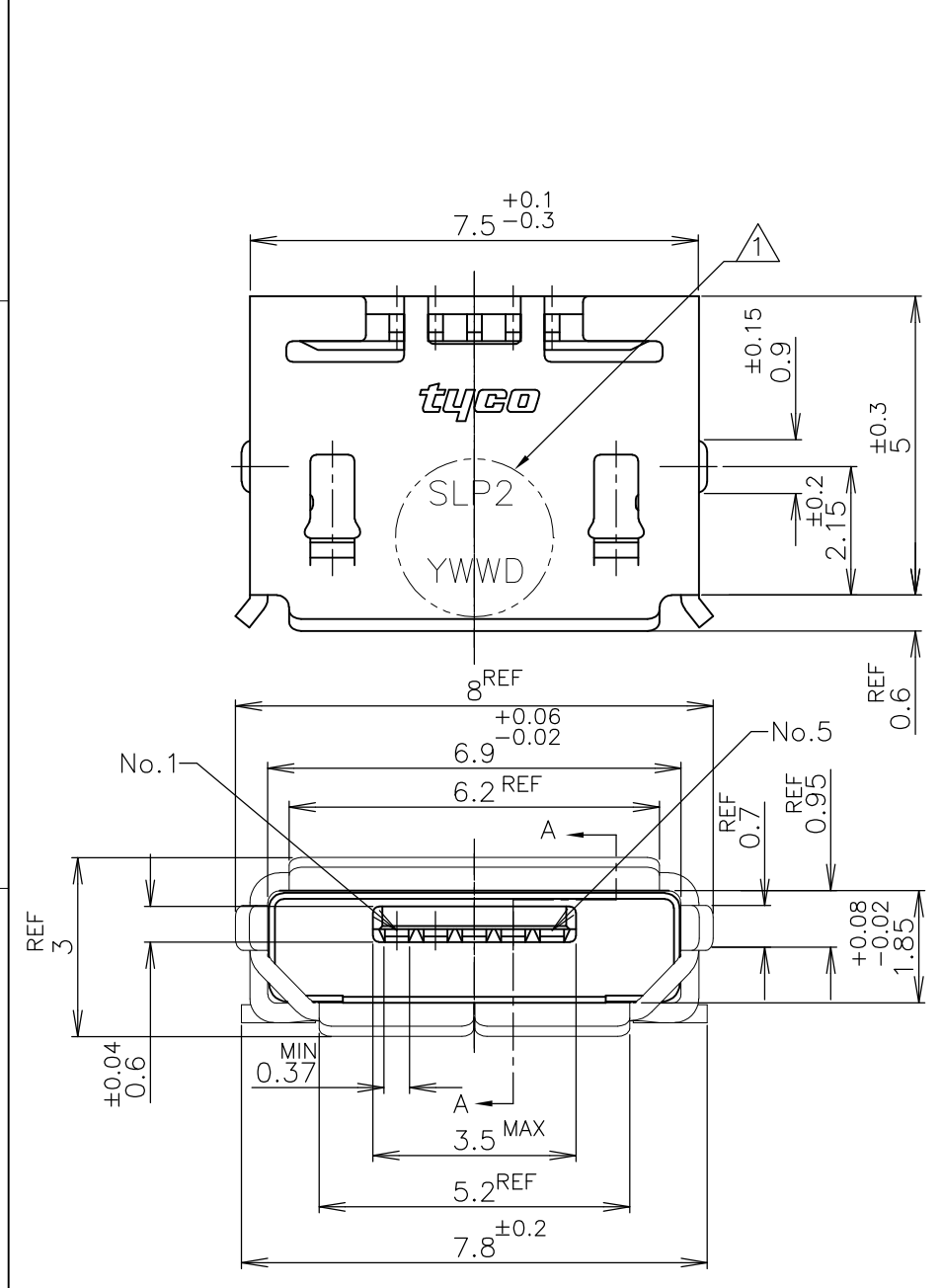


THIS DRAWING IS UNPUBLISHED. RELEASED FOR PUBLICATION JAN , 2007.
 © COPYRIGHT 2007 BY TYCO ELECTRONICS CORPORATION. ALL RIGHTS RESERVED.

LOC	DIST	REVISIONS					
J	/	P	LTR	DESCRIPTION	DATE	DWN	APVD
		B		REVISED ECR-07-029091	04DEC07	J.T	T.K



PCB LAYOUT(REFERENCE)
(VIEWED FROM CONNECTOR MOUNT SIDE)

- △ DATE CODE AND VERSION MARKING
- 2. OVERALL TOLERANCE: ±0.2
- 3. MATERIAL HOUSING : THERMOPLASTIC RESIN UL94V-0
CONTACT : COPPER ALLOY
SHELL : STAINLESS STEEL
- 4. FINISH CONTACT : Ni UNDER PL
Au PL
SHELL : Ni UNDER PL
Sn PL

THIS DRAWING IS A CONTROLLED DOCUMENT.		DWN J.TSUJI 06AUG2007	Tyco Electronics Tyco Electronics AMP K.K. Kawasaki, Japan	
DIMENSIONS: 単位: 耗 MM		CHK T.KUSUHARA 07AUG2007	NAME 名称 MICRO USB RECEPTACLE STANDARD TYPE B ASSY	
TOLERANCES UNLESS OTHERWISE SPECIFIED: 一般公差		APVD T.KUSUHARA 07AUG2007	PRODUCT SPEC 製品規格	
0 PLC ± - 1 PLC ± - 2 PLC ± - 3 PLC ± - 4 PLC ± - ANGLES ± 10		APPLICATION SPEC 取付適用規格	APPLICATION SPEC 取付適用規格	
1981568-1	MATERIAL 材料	WEIGHT	SIZE A3	CAGE CODE 00779
PART NUMBER	FINISH 仕上	CUSTOMER DRAWING	DRAWING NO 番号 G-1981568	RESTRICTED TO -
		SCALE 尺度 8:1	SHEET 1 OF 2	REV B

4

3

2

1

THIS DRAWING IS UNPUBLISHED. RELEASED FOR PUBLICATION JAN , 2007.
 © COPYRIGHT 2007 BY TYCO ELECTRONICS CORPORATION. ALL RIGHTS RESERVED.

LOC	DIST	REVISIONS					
J	/	P	LTR	DESCRIPTION	DATE	DWN	APVD
		-	-	SEE SHEET 1	-	-	-

D

D

C

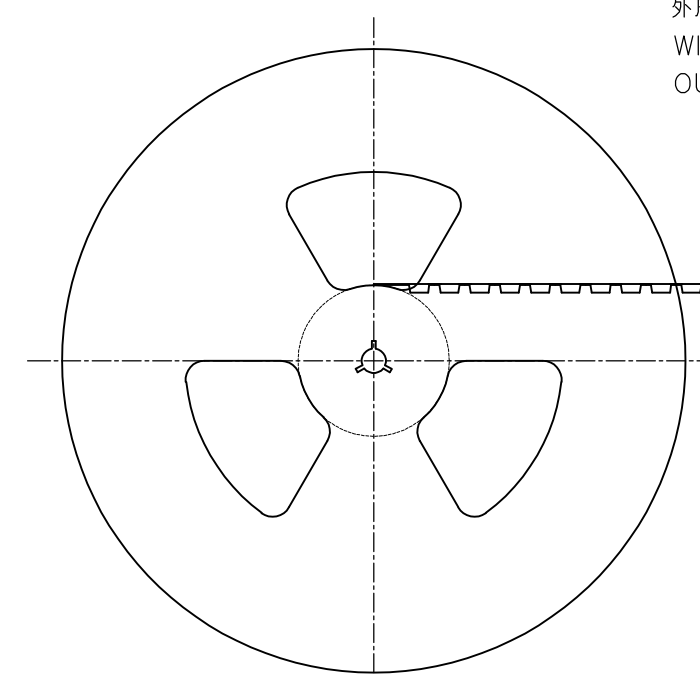
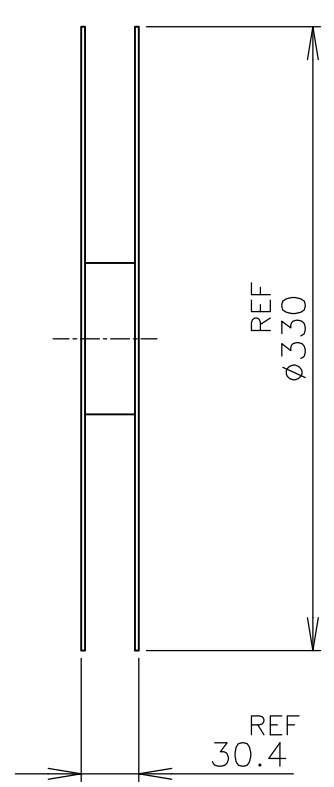
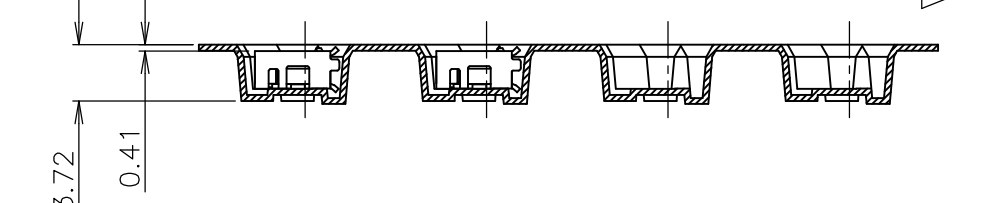
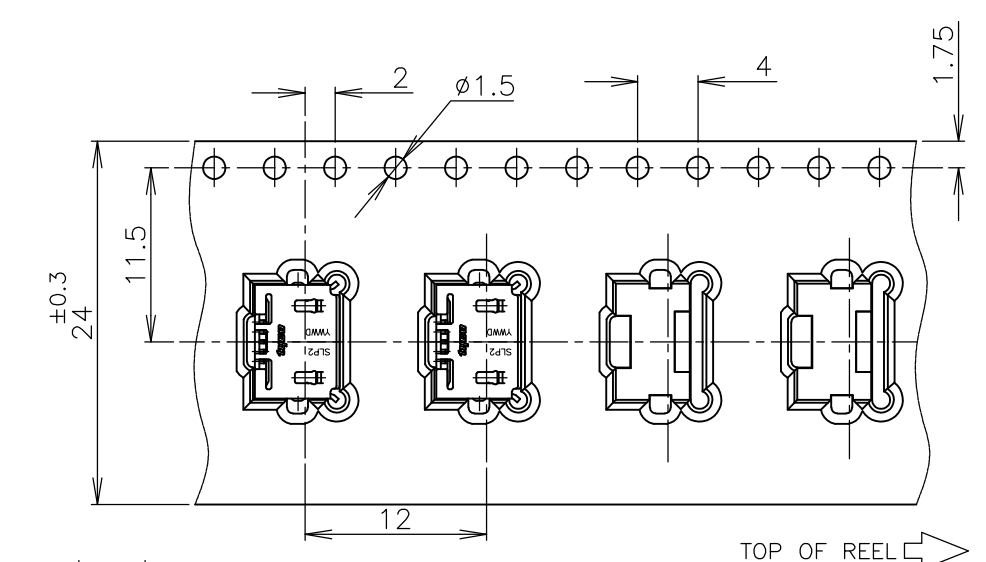
C

B

B

A

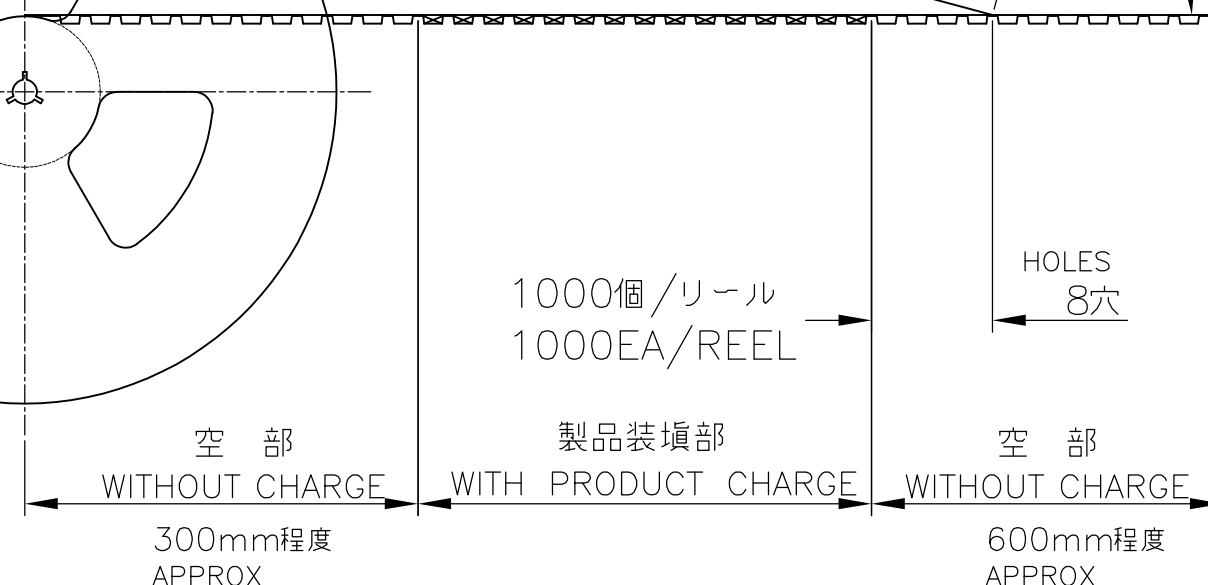
A



カバーテープリーダー部
 外周1巻
 WIDE COVER TAPE AROUND
 OUT PERIPHERY 1 TURN

剥離強度 0.1-1.3N MAX(300±10mm/min)
 PEELING STRENGTH
 剥離強度 165~180°
 PEELING ANGLE

引き出し方向
 TOP OF REEL



THIS DRAWING IS A CONTROLLED DOCUMENT.		DWN	Tyco Electronics AMP K.K.		
		CHK	Kawasaki.Japan		
DIMENSIONS: 単位: 耗 MM		APVD	NAME 名称		
TOLERANCES UNLESS OTHERWISE SPECIFIED: 一般公差		PRODUCT SPEC 製品規格	MICRO USB RECEPTACLE STANDARD TYPE B ASSY		
0 PLC ±-		APPLICATION SPEC 取付適用規格	SIZE	CAGE CODE	DRAWING NO 番号
1 PLC ±-		WEIGHT	A3	00779	G-1981568
2 PLC ±-		RESTRICTED TO			
3 PLC ±-		-			
4 PLC ±-		SCALE 2:1 SHEET 2 OF 2 REV B			
ANGLES ±-		CUSTOMER DRAWING			
FINISH 仕上					